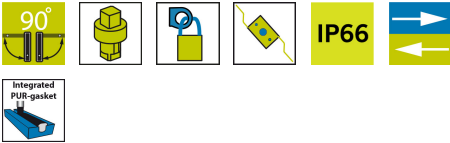


VISION™ SWING HANDLE STANDARD TOOL OPERATED



Low profile swing handle with insert for control mechanism. Available in turn-to-latch version where the door is locked by turning the key and push-to-latch version where the spring-loaded cam latches when the handle is pushed in.



MATERIAL

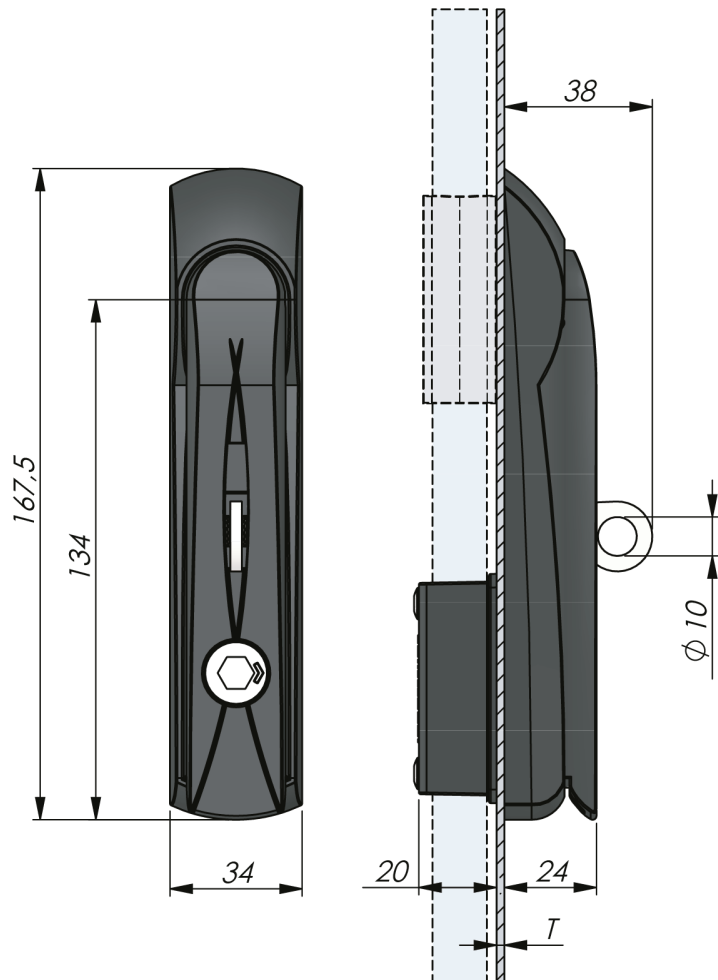
- Dish:** Zinc die cast, black coated or fibre glass reinforced polyamide (PA6GF30)
- Handle:** Zinc die cast, black coated or fibre glass reinforced polyamide (PA6GF30)
- Insert:** Zinc die cast, chrome plated
- Padlock loop:** Stainless steel 304
- Pivot shaft:** Zinc die cast, zinc plated

RELATED PRODUCTS

- Rod latch systems:** 1-008.04, 1-008.21, 1-008.25, 1-008.07
- Keys:** 2-372, 2-370
- Other materials:** 6-010
- Similar products:** 1-002.13
- Use the Index Code at industrilas.com

TECHNICAL INFORMATION

- Cutout:** Version C
- Standards:** IP65, NEMA 4



Make your selections in each column to create your article number (AAAAAAABC-DDDDE)

AAAAAAA	Material	B Door thickness T	C PDL	DDDD	Insert	E Model
1216118	Handle zinc / dish PA6	1 0,8-1,5 mm	0 No	1301	Hexagon 11	0 Turn-to-latch
1216418	Handle zinc / dish zinc	2 1,6-2,5 mm	1 Yes	1308	Square 7	1 Push-to-latch
1250118	Handle PA6 / Dish PA6	3 2,6-3,5 mm		1309	Square 8	
				1312	Triangular 7	
				1313	Triangular 8	
				1316	Double Bit 3	
				1317	Double Bit 5	
				1320	Slotted	
				1347	Insex 8 / 3 mm pin	

PDL = Spring loaded padlock loop retracts when handle is released.

Version C

